



Shaded Pole Motors

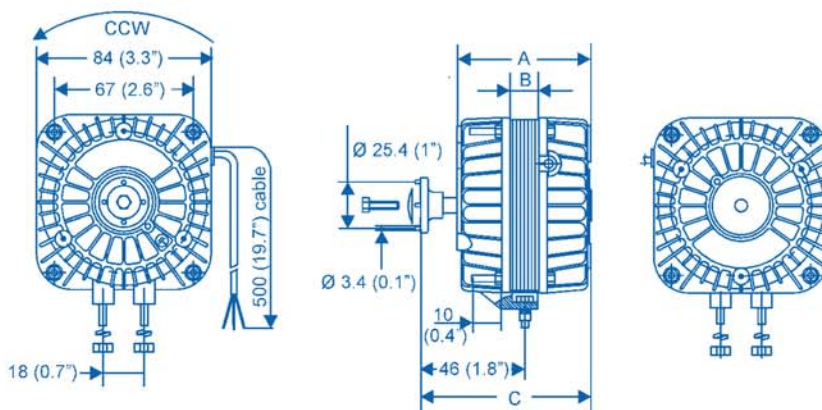
AMV 90 and 92 Series

120 V, 60 Hz

Motor	Input Power W	Output Power W	Current A	Speed RPM	Protection
AMV901	33	6	0.55	1550	Therm-protector
AMV902	55	10	0.80	1550	Therm-protector
AMV903	70	18	1.01	1550	Therm-protector
AMV921	33	6	0.55	1550	Therm-protector
AMV922	55	10	0.80	1550	Therm-protector
AMV923	70	18	1.01	1550	Therm-protector

Operating Temperature	Direction of Rotation	Protection/Insulation Class	Bearing Type	Approvals
-30 °C to +40 °C -22 °F to +104 °F	CCW	IP42/Class B	Sleeve*, Ball	

* AMV 90 Series only.



Dimensions in mm and (inches).

Motor		A	B	C
AMV901	mm	66	13	81
	inches	2.6	0.5	3.2
AMV902	mm	72	19	87
	inches	2.8	0.8	3.4
AMV903	mm	84	30	101
	inches	3.3	1.2	4
AMV921	mm	66	13	81
	inches	2.6	0.5	3.2
AMV922	mm	72	19	87
	inches	2.8	0.8	3.4
AMV923	mm	84	30	101
	inches	3.3	1.2	4