



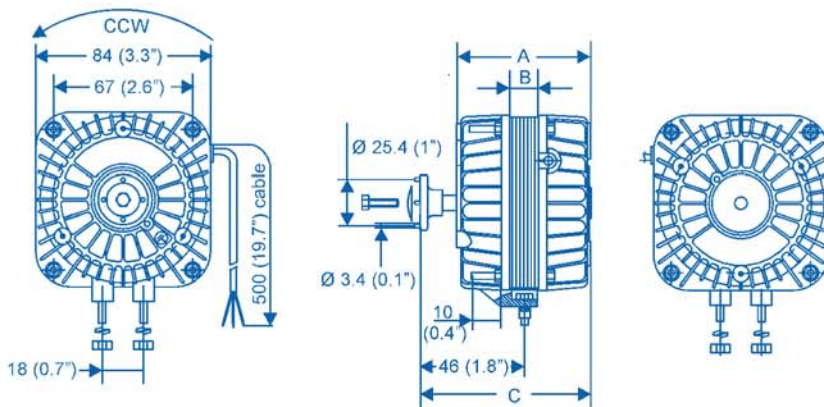
## Shaded Pole Motors

### AMV 80 Series

220-240 V, 50/60 Hz

Type	Input Power W	Output Power W	Current A	Speed RPM	Protection
AMV801	29	5	0.21	1300/1550	Impedance
AMV802	31	7	0.23	1300/1550	Impedance
AMV803	36	10	0.25	1300/1550	Impedance
AMV804	60	16	0.45	1300/1550	Therm-protector
AMV805	70	18	0.5	1300/1550	Therm-protector
AMV806	90	25	0.7	1300/1550	Therm-protector
AMV807	110	34	0.85	1300/1550	Therm-protector

Operating Temperature	Direction of Rotation	Protection/Insulation Class	Bearing Types	Approvals
-30 °C to +40 °C -22 °F to +104 °F	CCW	IP42/Class B	Sleeve	CE



Dimensions in mm and (inches).

Motor		A	B	C
AMV801	mm	66	13	81
	inches	2.6	0.5	3.2
AMV802	mm	72	19	87
	inches	2.8	0.8	3.4
AMV803	mm	72	19	87
	inches	2.8	0.8	3.4
AMV804	mm	78	25	92
	inches	3	1	3.6
AMV805	mm	84	30	101
	inches	3.3	1.2	4
AMV806	mm	94	40	112
	inches	3.7	1.6	4.4
AMV807	mm	99	45	121
	inches	4	1.8	4.8